

Merkmale

- massive Bauart
- dicke Silberplattierung
- hohe Kontaktsicherheit
- lange Lebensdauer
- Druckscheibe zur sicheren Befestigung

Features

- compact design
- thick silver plating
- high contact safety
- long service life
- pressure plate for secure fixation

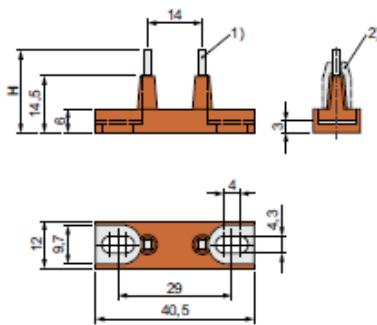
Bestellangaben / Order Information Codes

PZ 18	Kontaktbrücke, 18 mm hoch / contact bridge, 18 mm high
PZ 21	Kontaktbrücke, 21 mm hoch / contact bridge, 21 mm high
PZ 24	Kontaktbrücke, 24 mm hoch (<i>nicht berührungssicher, IP 00</i>) / contact bridge, 24 mm high (<i>not protected against accidental contact, IP 00</i>)
PZ 18SO	Kontaktbrücke sonder (quer), 18 mm hoch / contact bridge special (diagonal), 18 mm high
DZ 18	Kontaktbrücke, 18 mm hoch / contact bridge, 18 mm high
DZ 21	Kontaktbrücke, 21 mm hoch / contact bridge, 21 mm high
DZM 21	Kontaktbrücke mit Magnet für DZRK / contact bridge with magnet for DZRK
PZ - U1	Unterlage, 1 mm dick für PZ 18, PZ 21, PZ 24 / pad, 1 mm thick for PZ 18, PZ 21, PZ 24
PZ - U5	Unterlage, 5 mm dick für PZ 18, PZ 21, PZ 24 / pad, 5 mm thick for PZ 18, PZ 21, PZ 24
DZ - U1	Unterlage, 1 mm dick für DZ 18, DZ 21 (und DZM 21) / pad, 1 mm thick for DZ 18, DZ 21 (and DZM 21)



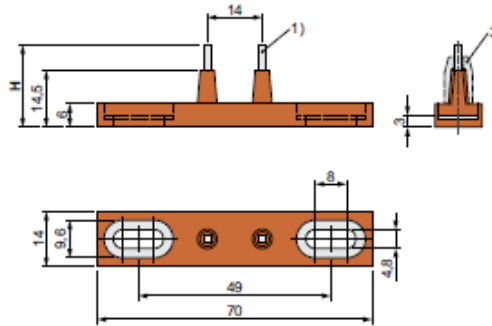
Geräteabmessungen / Device Dimensions

PZ 18 / 21 / 24



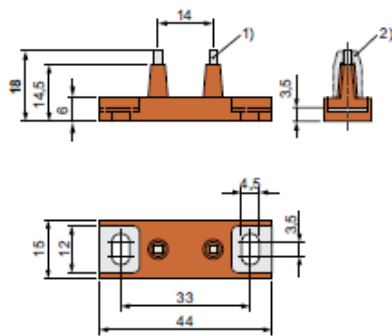
	PZ 18	PZ 21	PZ 24
H (mm)	18	21	24

DZ 18 / 21

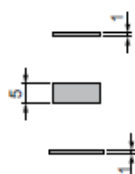
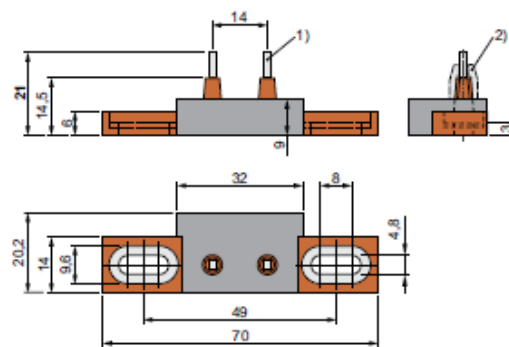


	DZ 18	DZ 21
H (mm)	18	21

PZ 18 SO



DZM 21



PZ - U1

PZ - U5

DZ - U1

Unterlagen nach Bedarf /
pads on request

- 1) Kontaktwerkstoff: Feinsilber /
contact material: refined silver
- 2) Einstell-Lehre nach Justage entfernen /
remove setting gauge after adjustment

Schaltertyp / type of switch	Kontaktbrücke / contact bridge
HZTK	PZ 18, PZ 21, (PZ 24), DZ 18, DZ 21
PZ 73	PZ 18, PZ 21, PZ 24, PZ 18SO
DZ 73	DZ 18, DZ 21, PZ 18, PZ 21, PZ 24, PZ 18SO
HZ	PZ 18, PZ 21, PZ 24, PZ 18SO
HZS	PZ 18, PZ 21, PZ 24, PZ 18SO
DZRK	DZM 21