

Steel security fitting prepared for profile cylinder - handle/handle SX03

Long backplate for apartment doors

Product description

- Distance 72 mm
- Spindle 9 mm
- For cylinder projection from 8 to 13 mm
- External plate thickness 10 mm - Internal plate thickness 6 mm
- Material external plate: solid steel, hardened
- Material internal plate: solid steel
- Double screwed
- Material Handle: anodised aluminium with steel core
- Handle U-shape
- Handle is supplied mounted
- With divided or undivided half spindle to operate
- Long Stainless steel sleeve

Scope of delivery

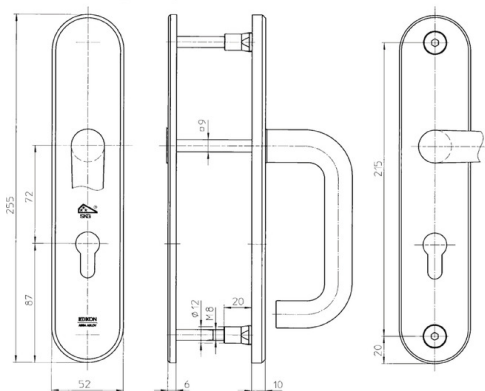
- 1 Set with fixing material

Variants that can be ordered

Article number	FB=	TS=
SX03	F1	40 (38-43)
	F1	50 (43-50)
	F1	55 (48-54)
	F1	60 (53-60)
	F1	65 (58-64)
	F1	70 (63-70)
	F1	75 (68-74)
	F1	80 (73-80)
	F1	85 (78-84)
	F1	90 (83-90)
	F1	95 (88-94)
	F1	100 (93-104)
	F1	110 (103-114)
	F2	45 (41-45)
	F2	50 (43-50)
	F2	55 (48-54)
	F2	60 (53-60)
	F2	65 (58-64)
	F2	70 (63-70)
	F2	75 (68-74)
	F2	80 (73-80)
	F2	85 (78-84)
	F2	90 (83-90)
	F2	90 (83-90)
	F2	100 (93-104)
	F2	110 (103-114)

Suitable ASSA ABLOY products

Order number	Product
.531	Profile-double cylinder
.551	Profile-double cylinder
.534,KNF=1	Profile-knob cylinder
.534,KNF=2	Profile-knob cylinder
.534,KNF=7	Profile-knob cylinder
.534,KNF=9	Profile-knob cylinder
.534,KNF=91	Profile-knob cylinder
.534,KNF=92	Profile-knob cylinder
.534,KNF=94	Profile-knob cylinder



Steel security fitting prepared for profile cylinder - handle/handle SX03

Long backplate for apartment doors



Accessories/Individual parts

Order number	Product
S401	Steel shim for long plate