

Bathroom Locks & Latches

2648 / 2650

Mortice Latch



ASSA ABLOY

Application:

- For timber doors hinged on the left or right and requiring lever handle operation
- Not suitable for use with unsprung lever handles

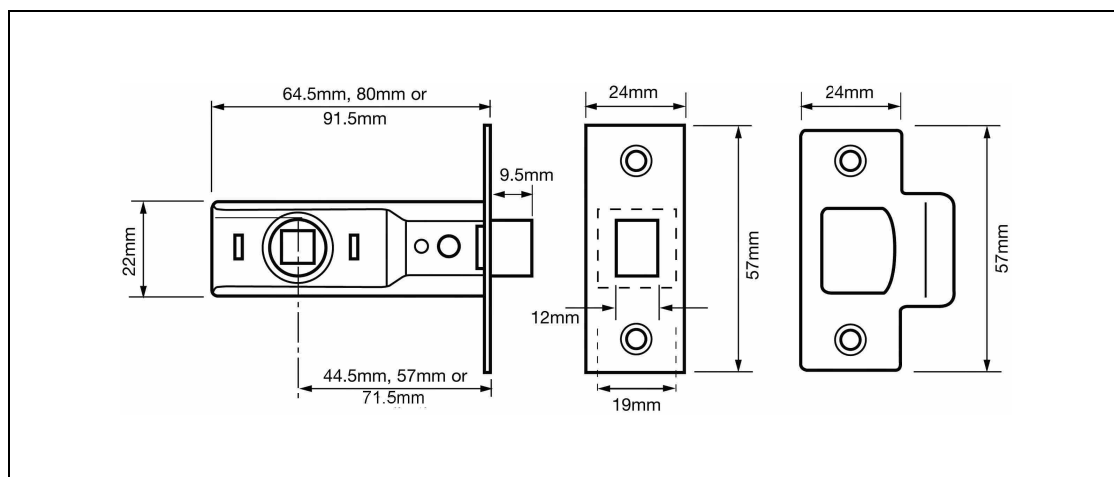
Specification:

- Latch bolt withdrawn by sprung lever handle from either side
- Two way action
- 2650 - rebated mortice latch (suitable for 13mm rebate)
- Available with square forend and striking plate
- Case Size: 64.5mm (2.5"), 80mm (3") or 91.5mm (3.5"),
- Backset: 44.5mm, 57mm or 82.5mm
- Case: Steel, galvanised
- Forend: Stainless steel or brass
- Striking Plate: Finished to match forend
- Deadbolt: n/a
- Latch Bolt: Black, plastic construction
- Follower: 8mm square
- Rebate Kit: Fixed 13mm rebate on 2650
- Available in PL, EB and SE finishes

Finish:

- 2648
SE - Silver Enamel finish PL - Polished Brass finish
- 2650
EB - Electro Brass finish SE - Silver Enamel finish

Technical Design:



Standards:



Bathroom Locks & Latches

2648 / 2650

Mortice Latch



ASSA ABLOY

Variants:

J2648-PL-2.50	Tubular Latch
J2648-PL-3.00	Tubular Latch
J2648-PL-3.50	Tubular Latch
J2648-SE-2.50	Tubular Latch
J2648-SE-3.00	Tubular Latch
J2648-SE-3.50	Tubular Latch
J2650-EB-2.50	Rebated Tubular Latch
J2650-EB-3.00	Rebated Tubular Latch
J2650-SE-2.50	Rebated Tubular Latch
J2650-SE-3.00	Rebated Tubular Latch
Y2648-PL-2.50	Tubular Latch - Visi
Y2648-PL-3.00	Tubular Latch - Visi
Y2648-SE-2.50	Tubular Latch - Visi
Y2648-SE-3.00	Tubular Latch - Visi
Y2650-EB-2.50	Rebated Tubular Latch - Visi
Y2650-EB-3.00	Rebated Tubular Latch - Visi